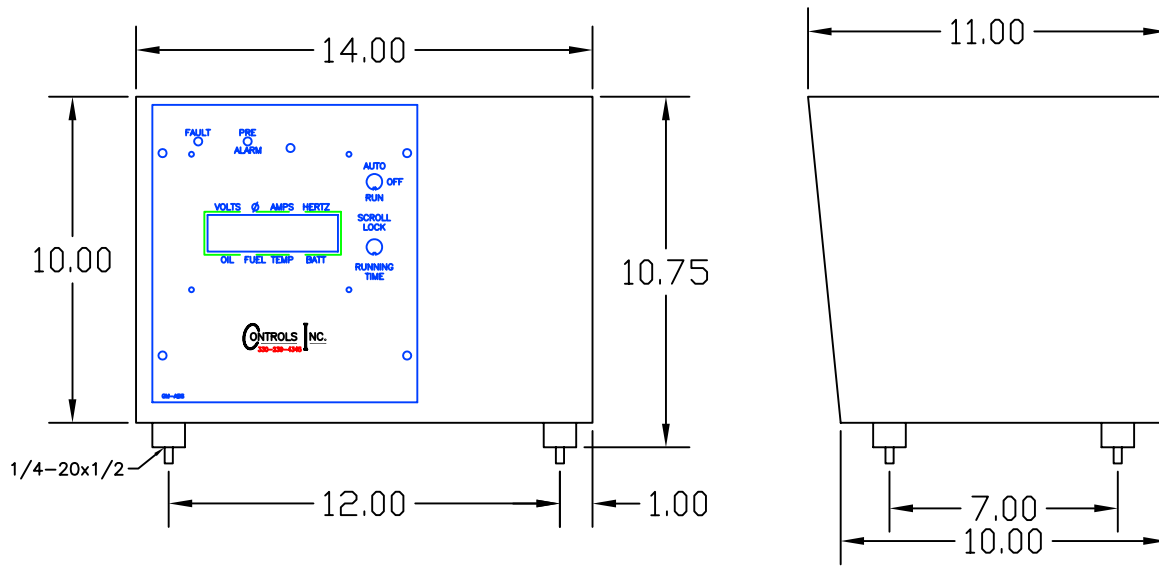
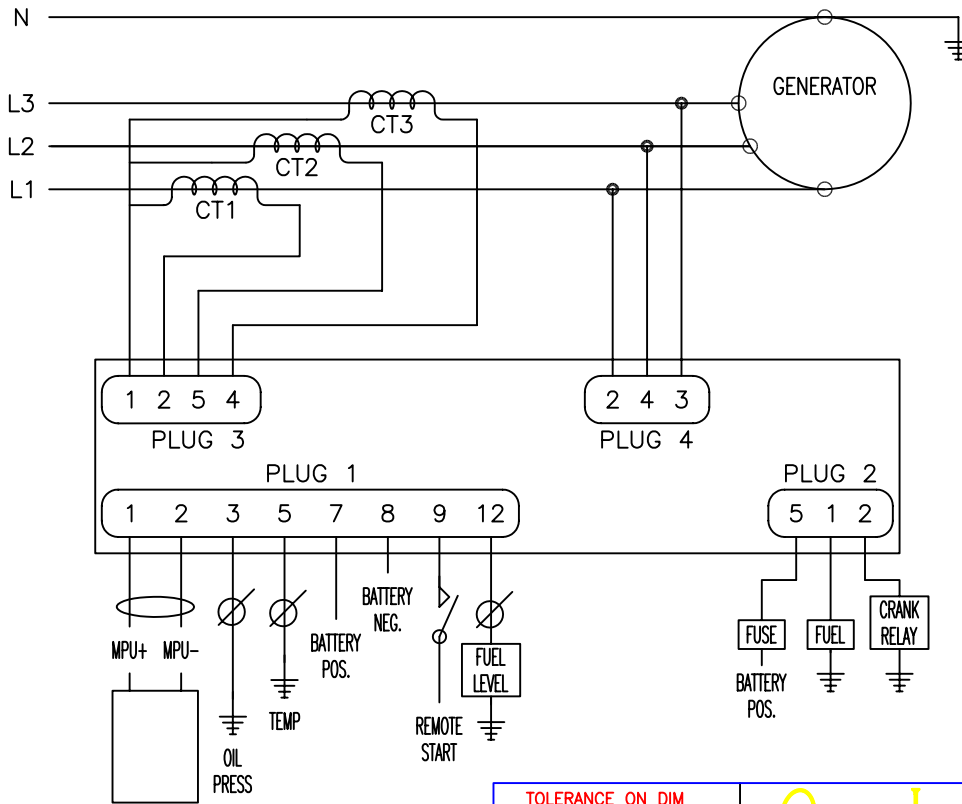


ENCLOSURE AND MOUNTING DIMENSIONS



COMMON WIRING CONNECTIONS



TOLERANCE ON DIM UNLESS OTHERWISE NOTED		CONTROLS INC.		CONTACT INFORMATION: www.controlsinc.com contact@controlsinc.com
FRACTIONS	±1/32	DRAWN <i>KLD</i>	DATE 3/13/2004	MATERIAL
DECIMALS	.0 = ±.060	CHECKED <i>BB</i>	DATE 3/15/2004	TITLE
	.00 = ±.030	PRODUCT		INSTALLATION DIMENSIONS AND WIRING SCHEMATIC
ANGLES	±1°	MODEL		PART No. GM100-FRONTIER
				REV. —