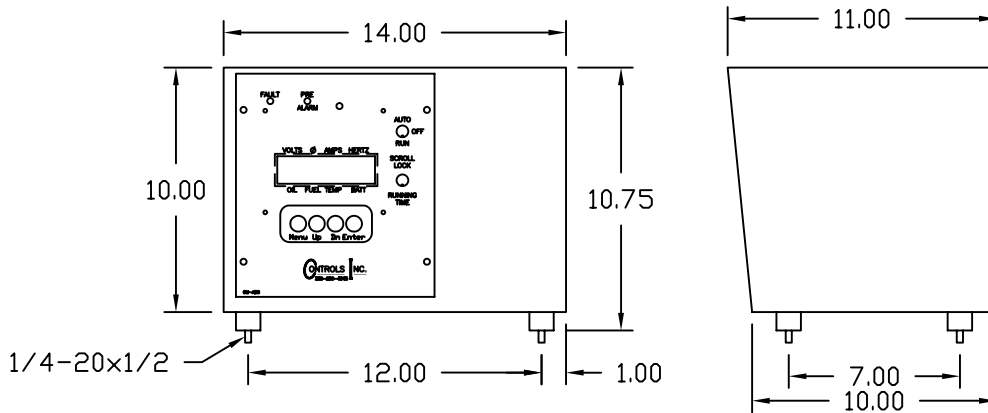
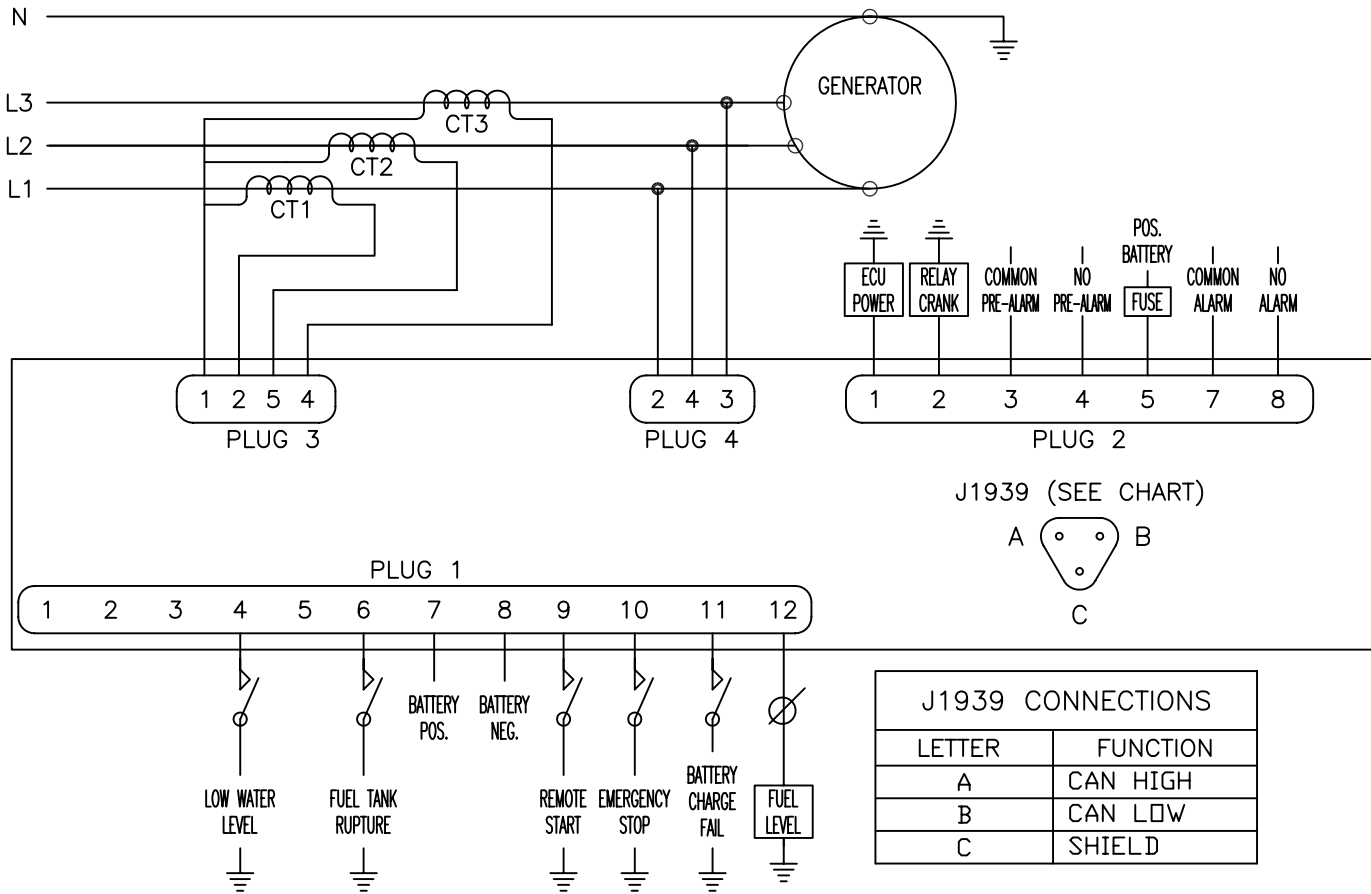


### ENCLOSURE AND MOUNTING DIMENSIONS



### COMMON WIRING CONNECTIONS



#### J1939 CONNECTIONS

LETTER	FUNCTION
A	CAN HIGH
B	CAN LOW
C	SHIELD

### DIP SWITCH FUNCTIONS

SWITCH NUMBER	DIP SWITCH ON PROVIDES:	SWITCH NUMBER	DIP SWITCH ON PROVIDES:
1	RA100 OR RE100	5	N/A
2	DC VOLT CAL	6	N/A
3	NOT USED	7	CT RATIO 1100:5 TO 2000:5
4	N/A	8	CT RATIO 500:5 TO 1000:5