



UNIVERSAL SILENCER

A DIVISION OF NELSON INDUSTRIES, INC.
P.O. Box 411, Stoughton, Wisconsin 53589
608-873-4272 Fax 608-873-4298

MOUNTING ARRANGEMENTS TYPE VI BASE RING/SKIRT SUPPORTS

DRAWING NO.

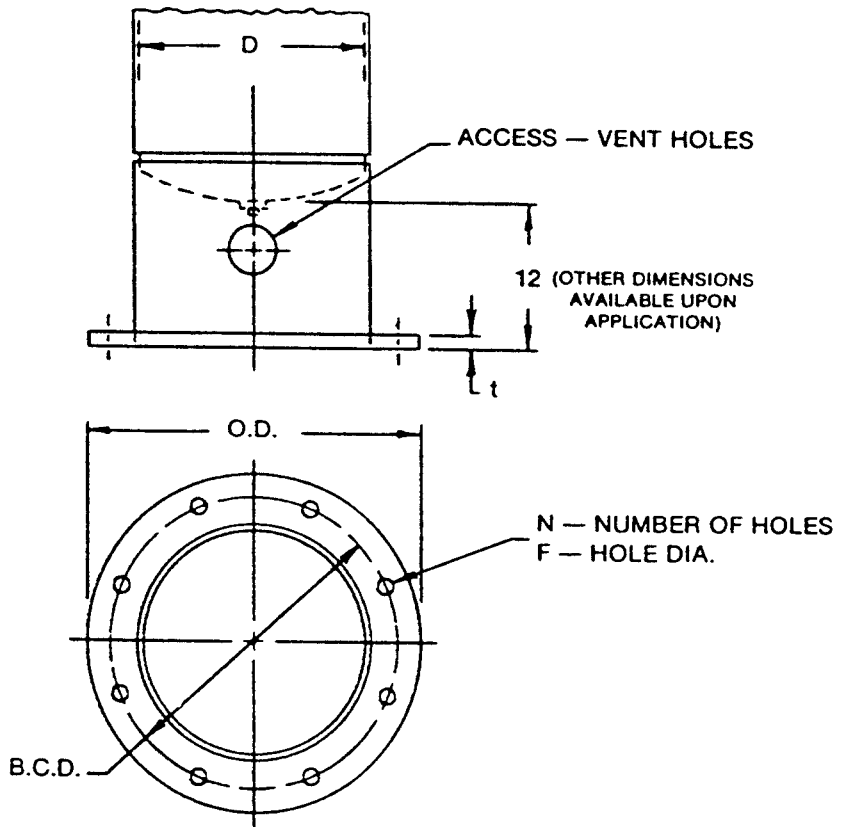
88-1086-1

REV.

2

DRAWN

DATE: 05-01-95



D — NOMINAL SHELL DIA.	PART NO.	O.D.	t	B.C.D.	N	F HOLE DIA.	APPROX.WT
10	80-1194	16	$\frac{3}{8}$	13	4	$\frac{7}{8}$	18
12	80-1195	18	$\frac{3}{8}$	15	4	$\frac{7}{8}$	22
14	80-1196	20	$\frac{3}{8}$	17	4	$\frac{7}{8}$	26
16	80-1197	22	$\frac{3}{8}$	19	4	$\frac{7}{8}$	33
18	80-1198	24	$\frac{3}{8}$	21	4	$\frac{7}{8}$	37
20	80-1199	26	$\frac{1}{2}$	23	4	$\frac{7}{8}$	56
22	80-1200	28	$\frac{1}{2}$	25	4	$\frac{7}{8}$	61
24	80-1201	30	$\frac{1}{2}$	27	4	$\frac{7}{8}$	68
26	80-1202	32	$\frac{1}{2}$	29	4	$\frac{7}{8}$	74
28	80-1203	34	$\frac{1}{2}$	31 $\frac{1}{2}$	4	$\frac{7}{8}$	79
30	80-1204	36	$\frac{1}{2}$	33 $\frac{1}{2}$	4	$\frac{7}{8}$	97
36	80-1205	42	$\frac{1}{2}$	39 $\frac{1}{2}$	4	$\frac{7}{8}$	120
42	80-1206	48	$\frac{1}{2}$	45 $\frac{1}{2}$	4	$\frac{7}{8}$	144
48	80-1207	54	$\frac{1}{2}$	51 $\frac{1}{2}$	4	$\frac{7}{8}$	204
54	80-1208	60	$\frac{3}{4}$	57 $\frac{1}{2}$	8	$\frac{7}{8}$	269
60	80-1209	66	$\frac{3}{4}$	63 $\frac{1}{2}$	8	$\frac{7}{8}$	307
66	80-1210	72	$\frac{3}{4}$	69 $\frac{1}{2}$	8	$\frac{7}{8}$	425
72	80-1211	80	$\frac{3}{4}$	76 $\frac{1}{2}$	8	1 $\frac{1}{8}$	532
78	80-1212	86	$\frac{3}{4}$	82 $\frac{1}{2}$	8	1 $\frac{1}{8}$	600
84	80-1213	92	$\frac{3}{4}$	88 $\frac{1}{2}$	8	1 $\frac{1}{8}$	661
90	80-1214	98	$\frac{3}{4}$	94 $\frac{1}{2}$	8	1 $\frac{1}{8}$	723
96	80-1215	104	$\frac{3}{4}$	101	8	1 $\frac{1}{8}$	922
102	80-1216	110	$\frac{3}{4}$	107	12	1 $\frac{1}{8}$	1005
108	80-1217	116	$\frac{3}{4}$	113	12	1 $\frac{1}{8}$	1090