



UNIVERSAL SILENCER

A DIVISION OF NELSON INDUSTRIES, INC.

STOUGHTON, WISCONSIN

MOUNTING ARRANGEMENTS

TYPE I

LEG SUPPORTS

DRAWING NO.

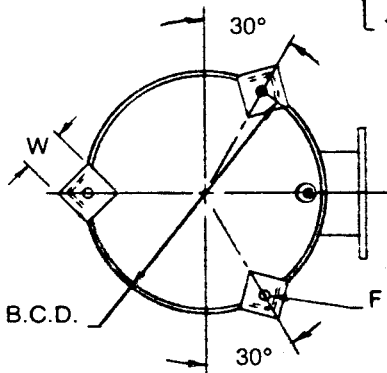
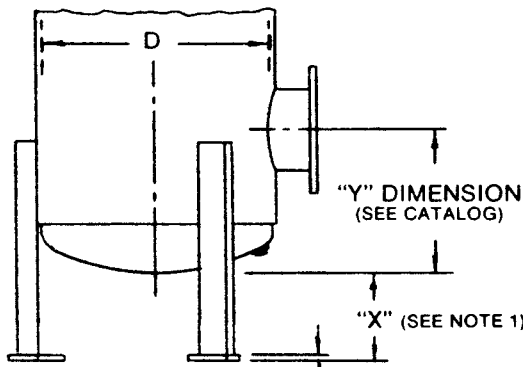
88-1070-1

REV.

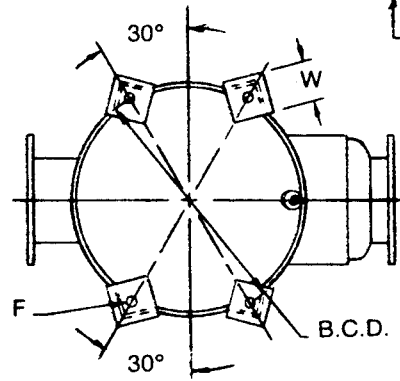
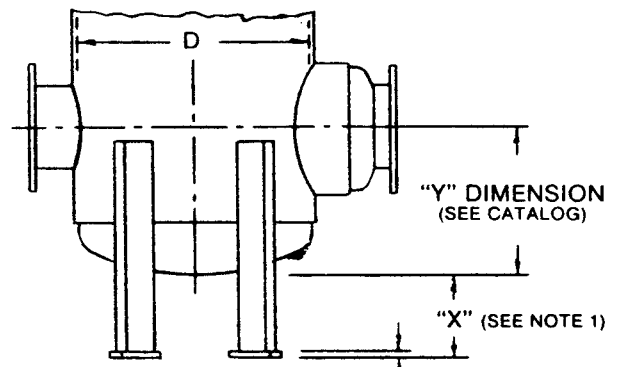
DRAWN

DATE 5-1-82

(3) LEG DESIGN



(4) LEG DESIGN



NOTES:

1. STANDARD "X" DIMENSION RANGE: 0"-6"
2. (4) LEGS RECOMMENDED FOR SHELL DIAMETERS 48" AND LARGER AND ON ALL OPPOSED CONNECTION MODELS (RDS, SDS, URDS)

D-NOMINAL SHELL DIA.	PART NO.	W-BASE WIDTH (SQ.)	t	F HOLE DIA.	B.C.D.	APPROX. WT.	
						3 LEGS	4 LEGS
10	80-1120	2½	¼	⅞	10⅝	13	18
12	80-1120	2½	¼	⅞	12¼	13	18
14	80-1120	2½	¼	⅞	14¼	13	18
16	80-1120	2½	¼	⅞	16⅝	13	18
18	80-1120	2½	¼	⅞	18⅝	13	18
20	80-1121	4	⅜	1	20	35	47
22	80-1121	4	⅜	1	22	35	47
24	80-1121	4	⅜	1	24⅝	35	47
26	80-1121	4	⅜	1	26⅝	35	47
28	80-1121	4	⅜	1	28⅝	35	47
30	80-1121	4	⅜	1	30⅝	35	47
36	80-1122	5	½	1¼	36⅝	66	88
42	80-1122	5	½	1¼	42⅝	66	88
48	80-1122	5	½	1¼	48⅝	66	88
54	80-1123	7	¾	1⅝	54⅞	200	266
60	80-1123	7	¾	1⅝	60⅞	200	266
66	80-1123	7	¾	1⅝	66⅞	200	266
72	80-1123	7	¾	1⅝	73	200	266
78	80-1124	10	1	1⅝	78⅞	530	706
84	80-1124	10	1	1⅝	84⅞	530	706
90	80-1124	10	1	1⅝	90⅞	530	706
96	80-1124	10	1	1⅝	96⅞	530	706
102	80-1124	10	1	1⅝	102⅞	530	706
108	80-1124	10	1	1⅝	108⅞	530	706