



# UNIVERSAL SILENCER

A DIVISION OF NELSON INDUSTRIES, INC.  
STOUGHTON, WISCONSIN

## MOUNTING ARRANGEMENTS

DRAWING NO.

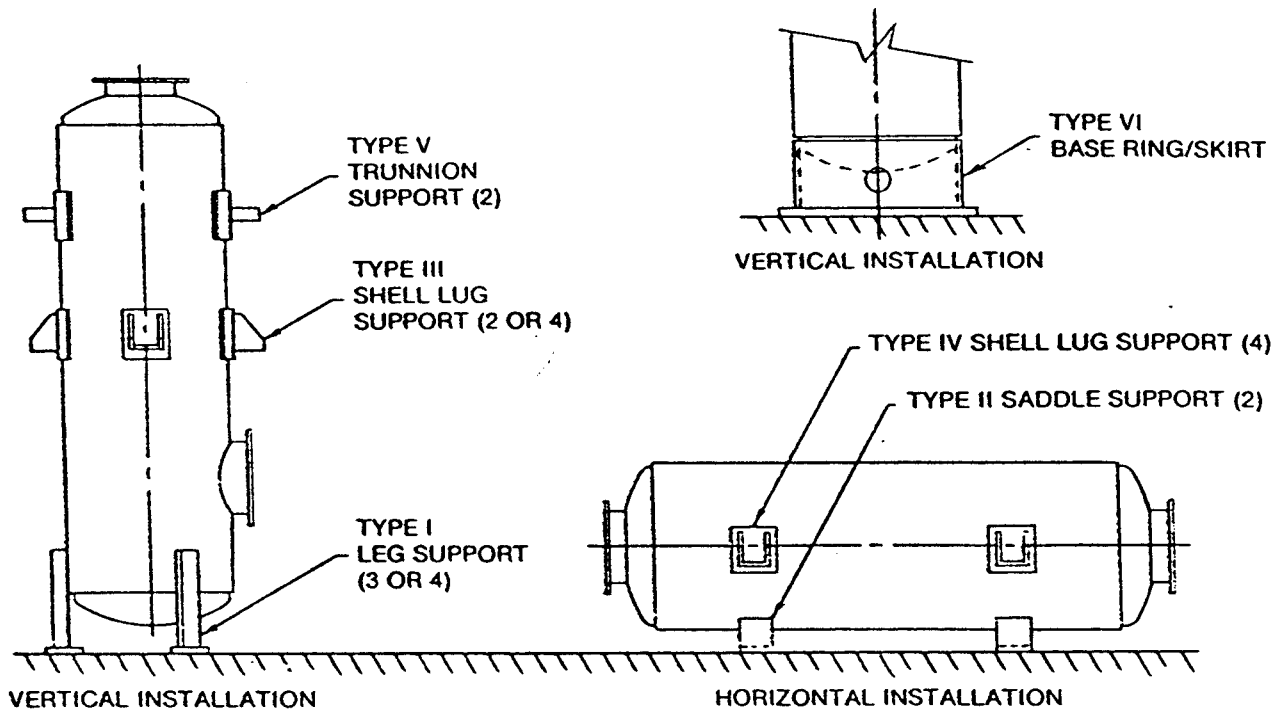
# 88-1078

REV.

# 1

DRAWN

DATE 5-1-82



MOUNTING ARRANGEMENTS	SPECIFICATION NUMBER
TYPE I — LEG SUPPORTS	DRAWING NO. 88-1070-1
TYPE II — SADDLE SUPPORTS	DRAWING NO. 88-1073-1
TYPE III — SHELL LUG SUPPORTS	DRAWING NO. 88-1072-1
TYPE IV — SHELL LUG SUPPORTS	DRAWING NO. 88-1074-1
TYPE V — TRUNNION SUPPORTS	DRAWING NO. 88-1077-1
TYPE VI — BASE RING/SKIRT SUPPORTS	DRAWING NO. 88-1086-1