

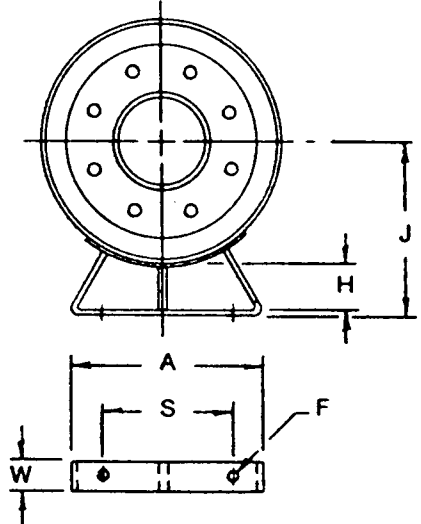
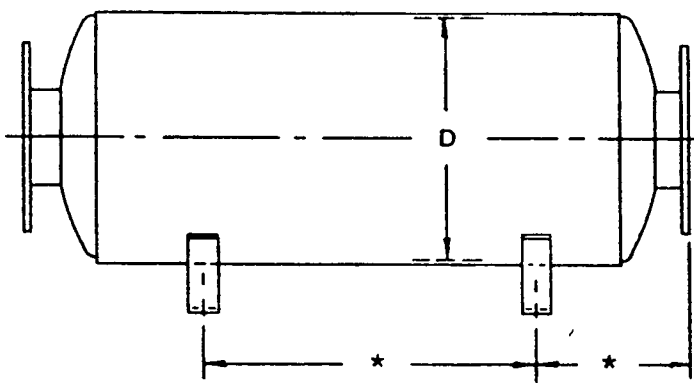


UNIVERSAL SILENCER

A DIVISION OF NELSON INDUSTRIES, INC.
P.O. Box 411, Stoughton, Wisconsin 53589
608-873-4272 Fax 608-873-4298

MOUNTING ARRANGEMENTS TYPE II SADDLE SUPPORTS

DRAWING NO. **88-1073-1** REV. **2**
DRAWN DATE: 05-01-95



*THESE DIMENSIONS ARE OPTIONAL
WITHIN LIMITS OF THE
SILENCER LENGTH

D - NOMINAL SHELL DIA.	PART NO.	S	A	W	F HOLE DIA.	H	J	APPROX. WT. 2 SADDLES
10	80-0495	5 1/2	9 1/2	2	3/8	3	8 3/8	5
12	80-0496	6 1/2	10 1/2	2	3/8	3	9 3/8	5
14	80-0296	9	13 1/8	3	3/4	3	10 3/8	9
16	80-0217	9	13 1/8	3	3/4	3	11 3/8	9
18	80-0218	11	15	3	1	3	12 3/8	10
20	80-0219	12	15 3/8	3	1	3	13 3/8	10
22	80-0220	12 1/2	16 5/8	3	1	3	14 1/2	14
24	80-0221	13	17 3/8	3	1	3	15 1/2	15
26	80-0222	15	19 3/8	3	1	3	16 1/2	16
28	80-0497	16	20 3/8	3	1	3	17 1/2	17
30	80-0223	17	21 1/2	3	1	3	18 5/8	23
36	80-0224	19	25 5/8	4	1 1/4	3	21 5/8	37
42	80-0225	23	29 1/8	4	1 1/4	3	24 5/8	41
48	80-0226	26	32 5/8	4	1 1/4	3	28	69
54	80-0227	30	36 1/2	6	1 3/8	3	31	123
60	80-0228	34	40 3/8	6	1 3/8	3	34	130
66	80-0229	37	43 1/2	6	1 3/8	3	37	136
72	80-0230	41	47	6	1 3/8	3	40	146
78	80-0231	44	50 3/8	6	1 3/8	3	43	156
84	80-0232	48	54	6	1 3/8	3	46	167
90	80-0233	51	57 3/8	6	1 3/8	3	49	177
96	80-0234	54	60 3/8	6	1 3/8	3	52	187
102	81-1155	56	62 3/8	6	1 1/2	3	55	194
108	80-0493	57	64 3/8	6	1 1/2	3	58	201